

WRTP Series Weatherproof Single-pole Rocker Switches



Approvals

UL recognized; CSA approved; VDE approval pending.
 Load rating: 20A 125/250 VAC. 3/4 HP, 125/250 VAC. 14A 14VDC. Contacts: fine silver for long life dependability.
 Dielectric strength: 1250 volts (live parts to ground).
 Life: 35,000 operations at maximum rating.
 Insulation resistance: 5 megohms.

Water & Dust Resistance

Designed to meet IP-64.

High Inrush

125 Amp inrush capability (AgNi contacts).

Low Level Control

For low level/dry circuit applications (<100 am) contact factory for part number.

Terminals

Style A - 1/4-inch quick-connect

Mechanical Features

100,000 mechanical operations

Markings

Letters, numbers and symbols can be applied to rocker actuator or to integral nylon bezel; see inside back cover for details.

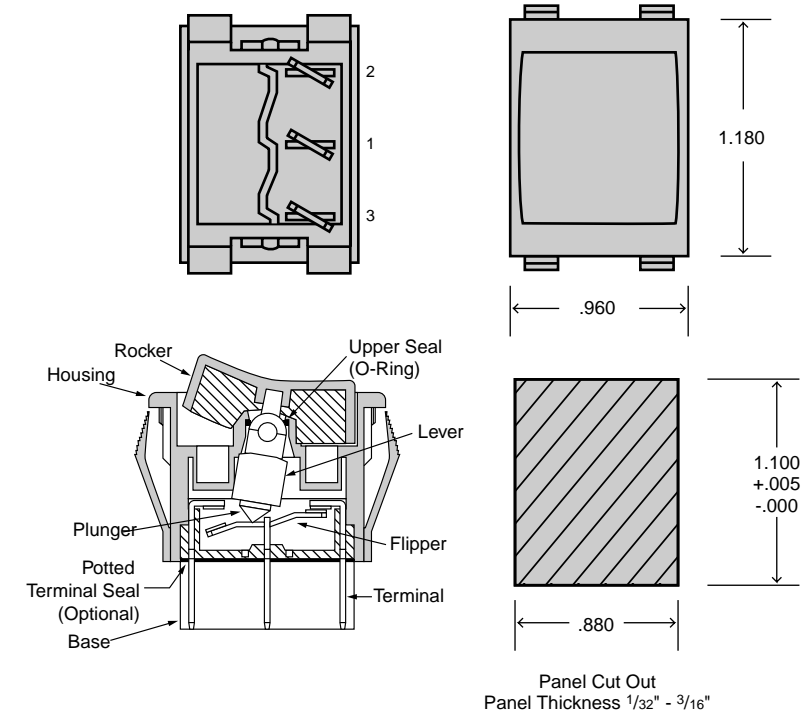
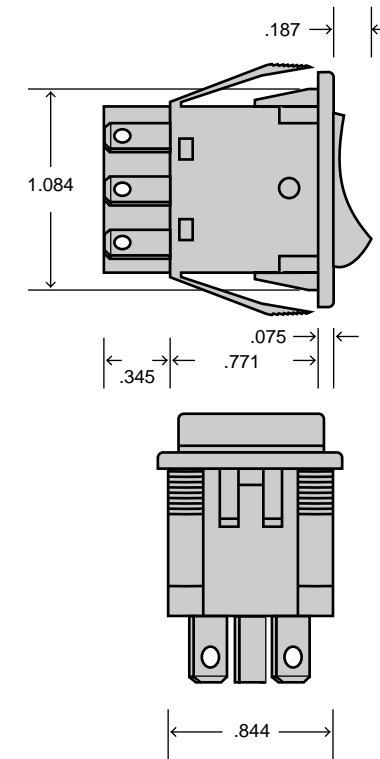
Mounting

Snap-in type panel mounting for ease of installation without additional mounting hardware.

Lighted Types

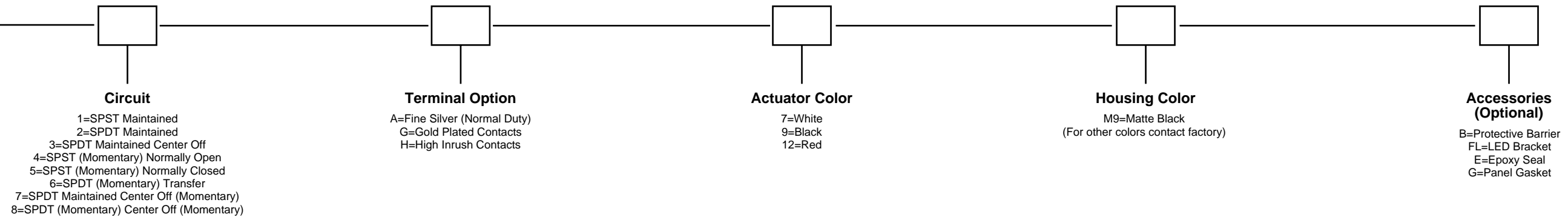
Please inquire.

Circuit	Switching	
1	SPST Maintained	
2	SPDT Maintained	
3	SPDT Maintained Center Off	
4	SPST (Momentary) Normally Open	
5	SPDT (Momentary) Normally Closed	
6	SPDT (Momentary) Transfer	
7	SPDT Maintained Center Off (Momentary)	
8	SPDT (Momentary) Center Off (Momentary)	



Ordering Information:

WRTP



Phone (203) 272-2794 ● Fax (203) 272-3492 ● <http://www.osloswitch.com>

MADE IN U.S.A.



Phone (203) 272-2794 ● Fax (203) 272-3492 ● <http://www.osloswitch.com>

MADE IN U.S.A.