

# Q-Series Pushbutton Switches

Q-Series Pushbutton switches are designed for snap-in panel mounting.

**Approvals** 

UL recognized; CSA approved; VDE approval pending. Load rating: 10A 125/250 VAC, 1/4 HP, 125 VAC; 10A 14VDC. Contacts: fine silver, double break. Circuits: single-pole and double-pole. Dielectric strength: 2000 VAC RMS. Life: 25,000 operations at maximum rating.

### Low Level Control

For low level/dry circuit applications (<100 ma) contact factory for technical assistance.

### Terminals

3/16" quick-connect brass with fine silver contacts (gold plating available).

### Mechanical Features

Positive mechanical indication of switch contact position. 100,000 mechanical operations.

### Lamps

Integral with switch; internally connected per diagram.

**Incandescent Lamps** — 6, 12 and 28 volt for use with any color lens window.

**Neon Lamps** — 125 and 250 volt standard orange for use with red, clear or amber caps. 125 and 250 volt special green for use with green or clear lens window.

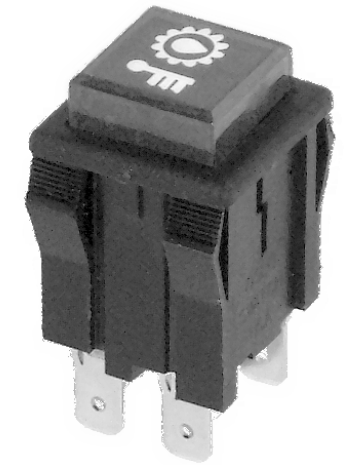
**LED's** — 6 or 12 volt available in red or green color option: Red LED with red, clear or amber lens window; Green LED with clear or green lens window.

**Note** — LED polarity must be observed. (The positive terminal is marked on housing, terminal #3 or #4).

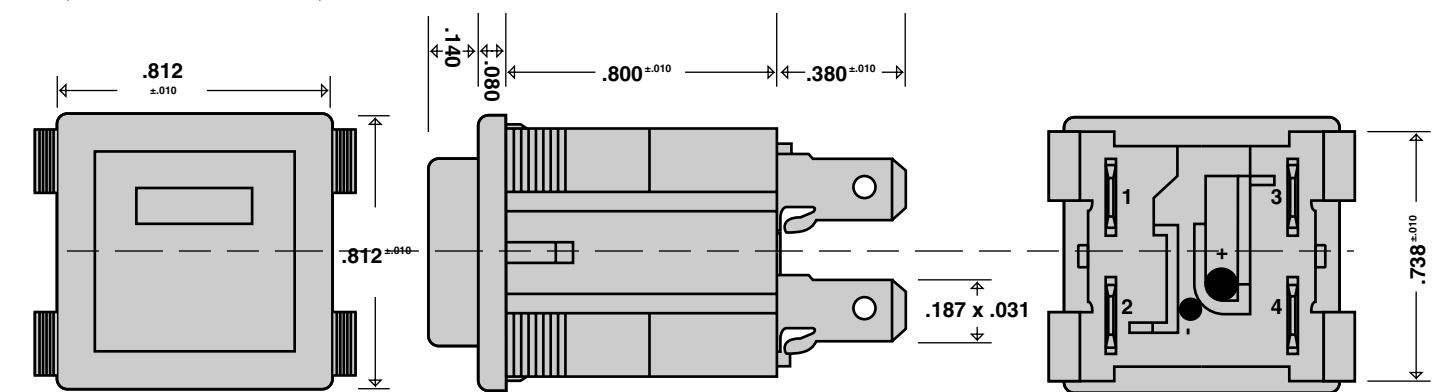
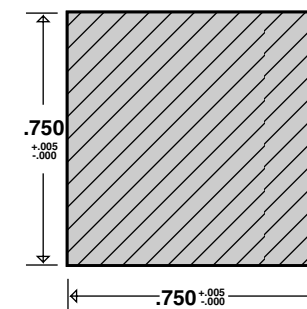
### Markings

Letters, numbers and symbols can be laser etched or pad printed on the button. See back cover gatefold for details

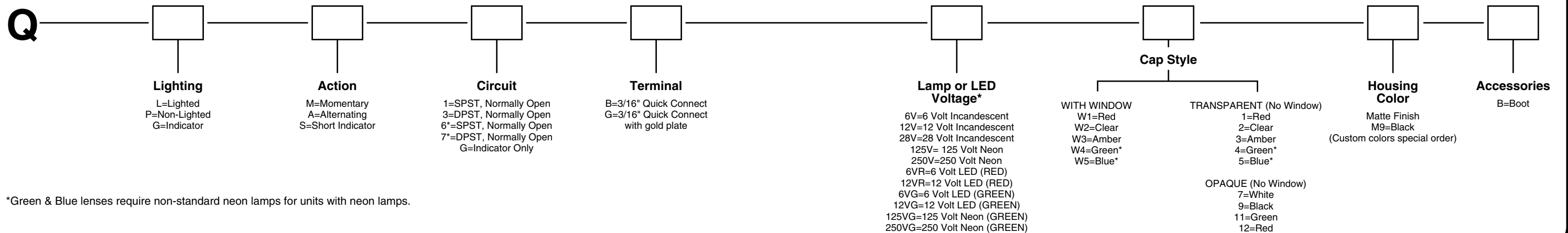
| Circuit | Switching                              | Circuit Diagram (Lighted) | Circuit Diagram (Non-Lighted) |
|---------|--|---------------------------|-------------------------------|
| 1       | Single-Pole Single-Throw Normally Open |                           |                               |
| 3       | Double-Pole Single-Throw Normally Open | N/A                       |                               |
| 6       | Single-Pole Single-Throw Normally Open |                           | N/A                           |
| 7       | Double-Pole Single-Throw Normally Open |                           | N/A                           |
| 0       | G                                      |                           | N/A                           |



Panel Cutout Thickness: .031 - .094



### Ordering Information:



\*Green & Blue lenses require non-standard neon lamps for units with neon lamps.



Phone (203) 272-2794 ● Fax (203) 272-3492 ● <http://www.osloswitch.com>

MADE IN U.S.A.



Phone (203) 272-2794 ● Fax (203) 272-3492 ● <http://www.osloswitch.com>

MADE IN U.S.A.