

Series L Sealed Pushbutton Switches



Suitable for applications in harsh environments including:

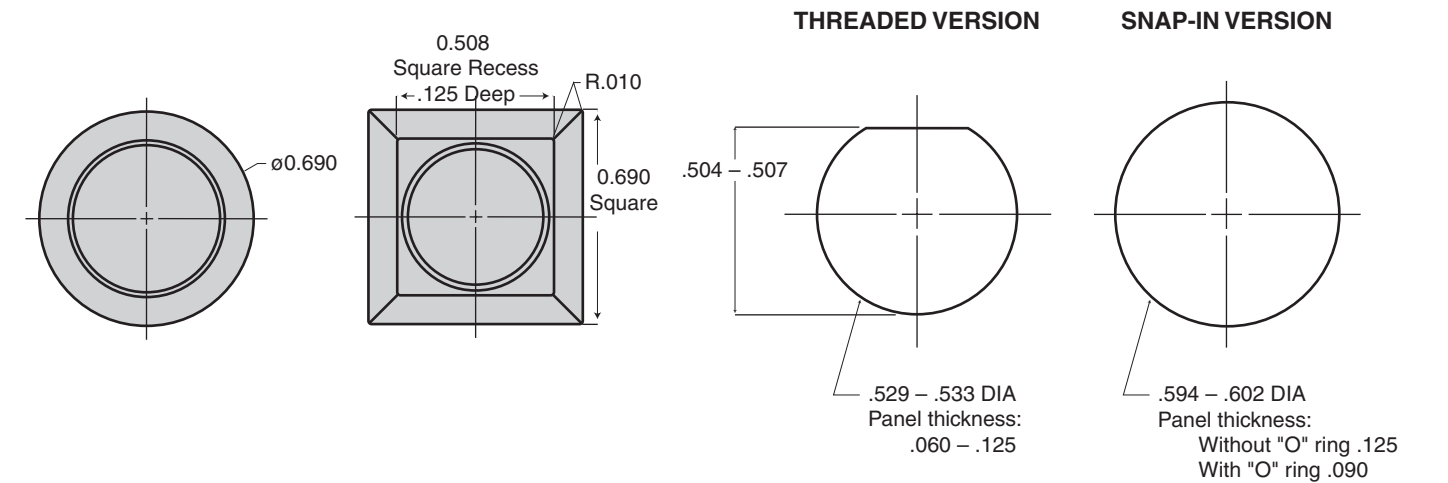
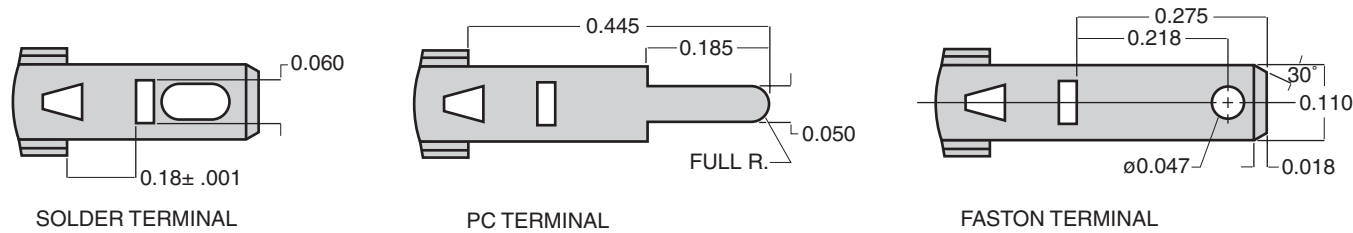
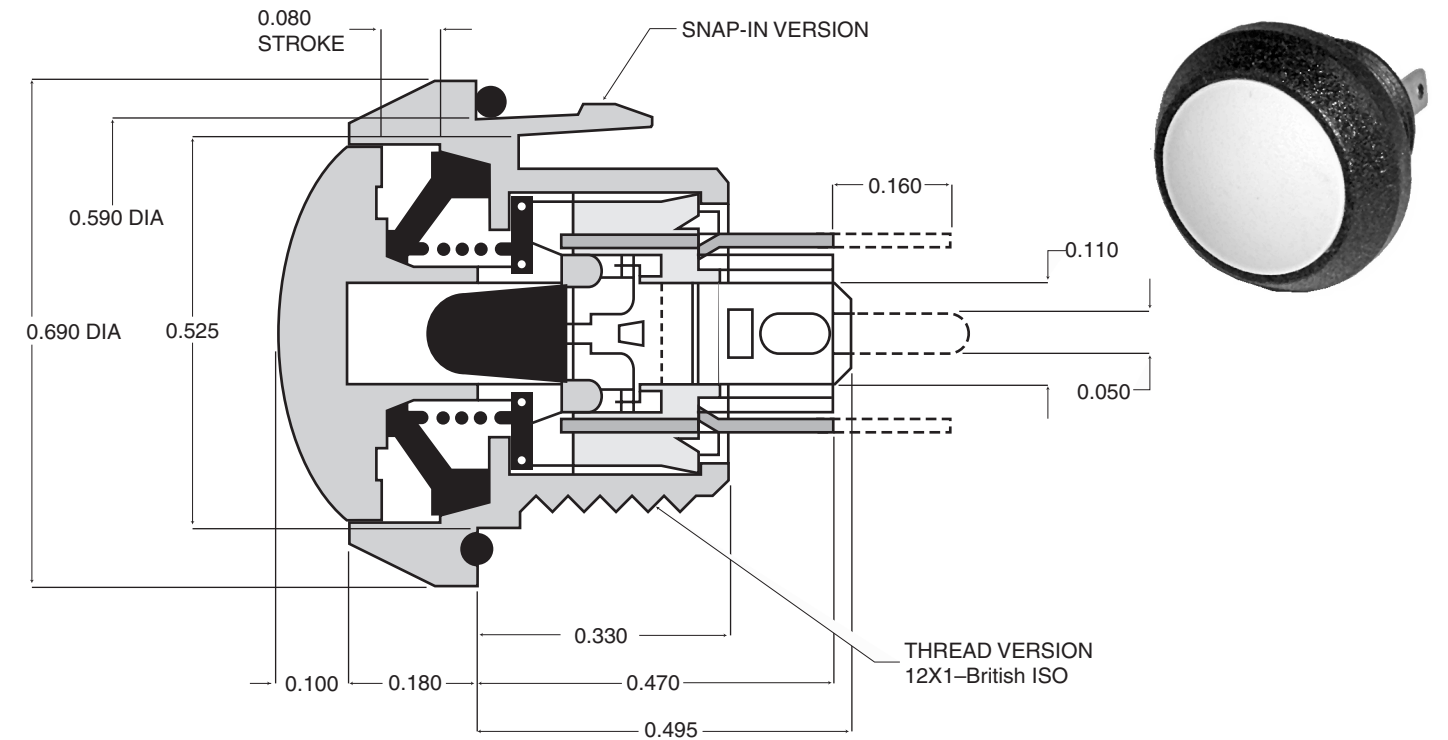
- Food Service
- HVAC
- Industrial
- Light Construction
- Marine
- Medical
- Transportation

Features

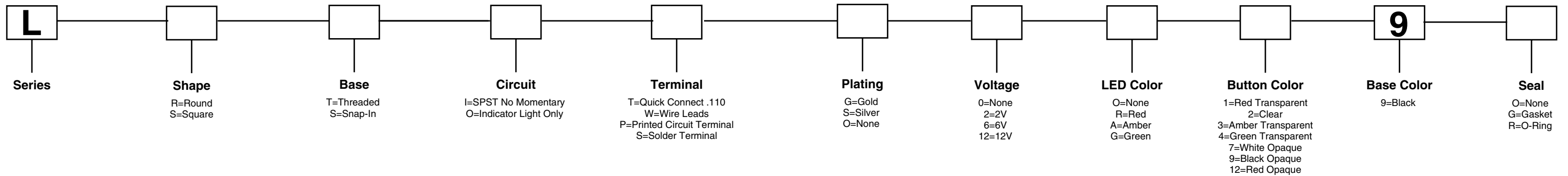
- Panel sealer IP65 (front panel)
- Square or round bezels
- Illuminated or non-illuminated
- Momentary action
- Thermoplastic case
- Threaded or snap-in cases

Specifications

Travel (nominal)08 in/2.0mm
 Life (max) 1,000,000 cycles
 Operating Force (nominal): ... 3N/306g
 Contact Bounce (nominal): ... 1 ms
 LED T-1
 Dielectric Strength 1,000 VAC
 Insulation Resistance 1GW
 Contact Resistance 50mW



Ordering Procedure



Phone (203) 272-2794 • Fax (203) 272-3492 • <http://www.osloswitch.com>

MADE IN U.S.A.



Phone (203) 272-2794 • Fax (203) 272-3492 • <http://www.osloswitch.com>

MADE IN U.S.A.