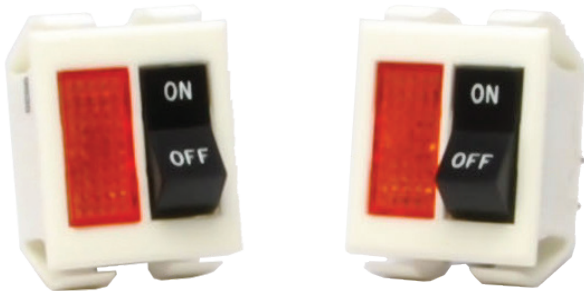


# TLG-Series

## Rocker Switches

The TLG-Series Mini Tippette snap-in rocker switches are single pole, rocker or paddle actuated with an adjacent indicator light. These single-actuator-switches are AC rated to 20 amps and are also suitable for low voltage DC applications, in a wide range of markets including Appliance, HVAC, Food service and Transportation.



**Carling Technologies®**

Innovative Designs. Powerful Solutions.

Innovative Designs. Powerful Solutions.

Carling Technologies, Inc.  
60 Johnson Avenue • Plainville, CT 06062-1177  
Phone: (860) 793-9281 • Fax: (860) 793-9231  
Email: [sales@carlingtech.com](mailto:sales@carlingtech.com) • [www.carlingtech.com](http://www.carlingtech.com)

### Dielectric Strength

UL/CSA:  
1000V - live to dead metal parts

### Electrical Life

50,000 cycles - maintained  
25,000 cycles - momentary

### Mechanical Life

100,000 cycles

### Operating Temperature

32°F to 185°F (0°C to 85°C)

**TLG** **G** - **D** **R** - **TA** **20** **1** - **T** **B** - **B** / **125N**

1 Base Part Number    2 Circuit    3 Lens Design    4 Lens Color    5 Center Position    6 Rating    7 Termination    8 Actuator Style    9 Actuator Color    10 Base Color    11 Lens Color    12 Lamp Voltage

**1 BASE PART NUMBER: SERIES**  
**TLG** Single Pole with adjacent Indicator Light

**2 CIRCUIT<sup>4</sup>**  
See Circuit Designation Chart.

**3 LENS DESIGN**  
**D** Diamond  
**L** Long Line

**4 LENS COLOR**  
**A** Amber                      **G** Green                      **W** White  
**C** Clear                        **R** Red

**5 BASIC SWITCH NUMBER**  
**TA** On-None-Off                      **TC** On-Off-On  
**TB** On-None-On                      **LTA** On-None-Off, Lighted

**6 RATING**  
**10** 5A 250VAC, 10A 125VAC, 1/2HP 125-250VAC  
**11** 5A 250VAC, 10A 125VAC, 5A 125VAC L  
**20** 10A 250VAC, 15A 125VAC, 3/4HP 125-250VAC  
**21** 10A 250VAC, 15A 125VAC  
**22** 10A 250VAC, 15A 125VAC, 20A 125-250VAC H, 3/4HP 125-250VAC

**7 TERMINATION/FUNCTION**

	Solder Lug	.250 Tab QC	.187 Tab QC	Wire Leads
On-None-Off	0	1	3	5
(On)-None-Off	A	B	D	F
On-None-(Off)	L	M	R	T
On-None-On	0	1	3	5
On-None-(On)	A	B	D	F
On-Off-On	0	1	3	5

**8 ACTUATOR STYLE<sup>2</sup>**  
**P** Paddle                              **PS** Short Paddle  
**T** Rocker

**9 ACTUATOR COLOR**  
**unlighted<sup>2</sup>**  
**B** Black                              **lighted**  
**W** White                              **A** Amber  
**G** Green  
**LU** Blue  
**R** Red

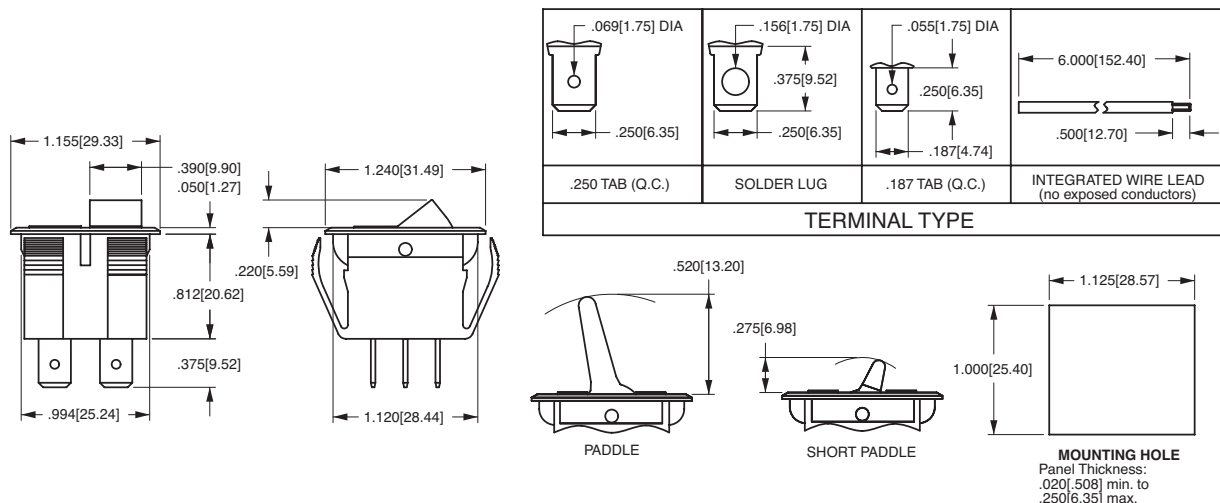
**10 BASE COLOR<sup>2</sup>**  
**B** Black                              **W** White

**9 LENS COLOR<sup>1,3</sup>**  
**A** Amber                              **G** Green                              **R** Red  
**C** Clear                              **LU** Blue                              **W** White

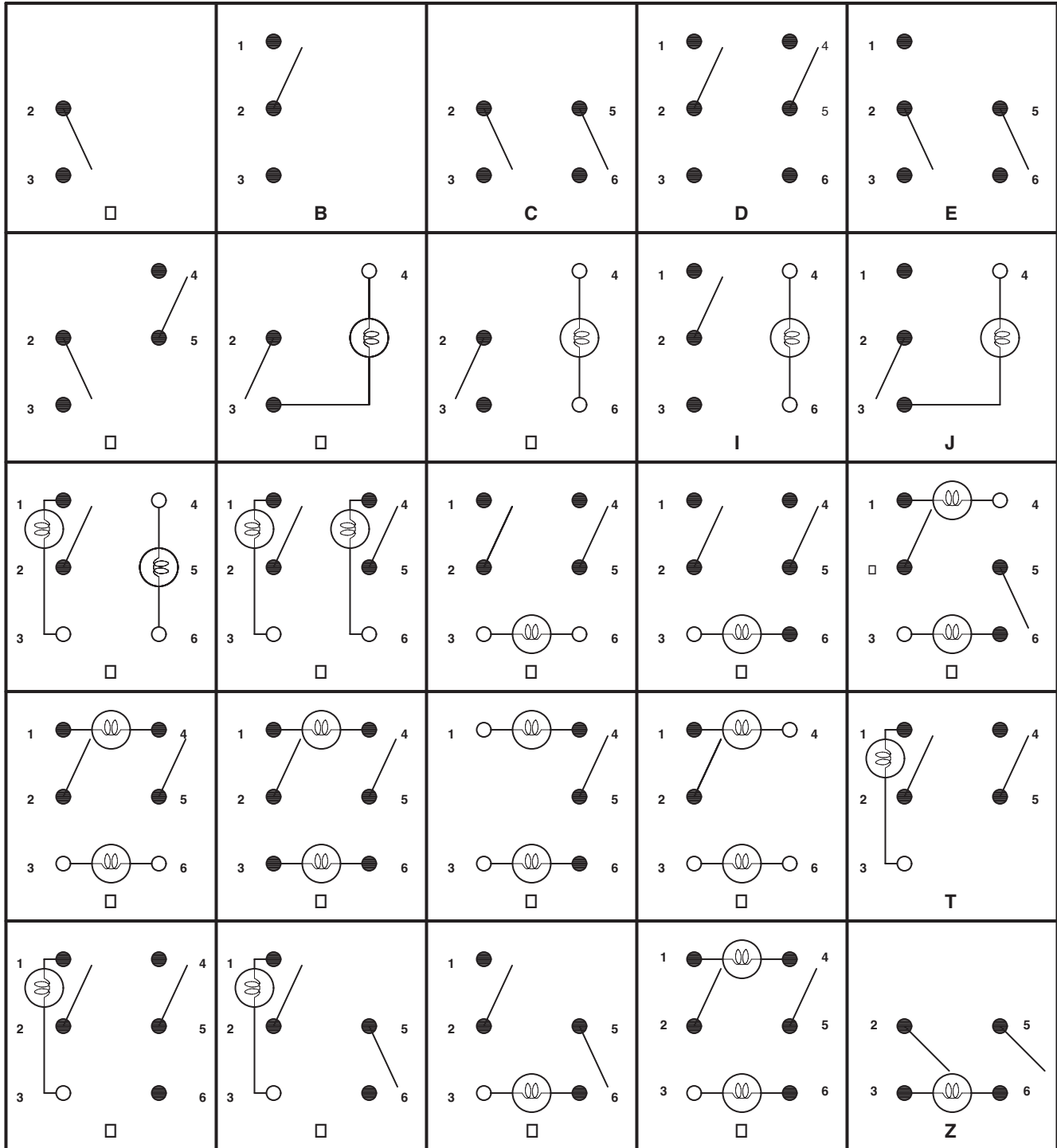
**10 LAMP VOLTAGE<sup>1</sup>**

incandescent	neon
<b>6V</b> 6 volt	<b>125N</b> 125 volt neon
<b>12V</b> 12 volt	<b>250N</b> 250 volt neon
<b>18V</b> 18 volt	
<b>24V</b> 24 volt	
<b>28V</b> 28 volt	

Notes:  
Imprinting is available. Consult factory.  
Panel Cut-Out Recommendations: For sheet metal panels, switch must enter panel in same direction as the punch. (Burr on bottom.) Test cut hole in actual material.  
1 Neon Lamps not recommended with green or blue actuators and lenses.  
2 Custom colors are available. Consult factory.  
3 Specify lens color only if actuator is lighted paddle.  
4 Available with circuits G, H, I, J, K only.  
( ) Indicates momentary function.



\*Manufacturer reserves the right to change product specification without prior notice.



● CONTACT TERMINAL  
Will make contact with switching lever

● CONTACT TERMINAL AND SWITCH LEVER

○ ISOLATED TERMINAL  
Does not make contact with switching lever

⊗ BULB

REV\_SW\_TLG\_0912