

# RR/LRR-Series

## Rounded Rocker Switches

Carling Technologies' RR and LRR-Series round rocker switches feature a unique sculpted rocker design, and electrical ratings up to 12A 125VAC, 10A 250VAC. The RR Series is available with custom imprinting, and the lighted LRR-Series can be wired to accommodate dependent or independent, illumination, neon or incandescent lamps, with red, green, amber or white translucent rockers. Installation is a snap, as this switch fits industry standard cutouts.

This switch is ideal for many applications including Appliance, Vacuum cleaners, Office Automation, Food Service, Audio Visual, and Test and Measurement.



**Carling Technologies®**

Innovative Designs. Powerful Solutions.

Innovative Designs. Powerful Solutions.

Carling Technologies, Inc.  
60 Johnson Avenue • Plainville, CT 06062-1177  
Phone: (860) 793-9281 • Fax: (860) 793-9231  
Email: [sales@carlingtech.com](mailto:sales@carlingtech.com) • [www.carlingtech.com](http://www.carlingtech.com)

### Dielectric Strength

UL/CUL:  
1000V-live to dead metal parts  
& opposite polarity

### Electrical Life

50,000 cycles

### Mechanical Life

100,000 cycles

### Operating Temperature

32°F to 185°F (0°C to 85°C)



#### 1 SERIES<sup>2</sup>

RR Rocker

LRR Lighted Rocker

#### 2 CIRCUIT

##### RR-Series (Non-Illuminated)

- 1 On-None-Off
- 2 (On)-None-Off
- 3 On-None-(Off)
- 4 On-None-On
- 5 On-None-(On)
- 6 On-Off-On

##### LRR-Series (Illuminated)

- 1 On-None-Off

#### 3 RATING<sup>1</sup>

- 1 10A, 125-250VAC; 12A 125 VAC  
1/4 HP 125-250 VAC
- 3 6A, 28 VDC
- 4 12A, 12 VDC
- 5 12A, 6 VDC

#### 4 TERMINATION

- 2 .187 Tab

#### Notes:

- 1 For additional rating requirements, consult factory.
- 2 Custom colors are available, consult factory.
- 3 Not recommended with Neon Lamps

#### 5 ACTUATOR COLOR<sup>2</sup>

##### RR-Series (Non-Illuminated) Solid Color

- B Black
- W White
- R Red

##### LRR-Series (Illuminated) Transparent Color

- 1 Amber
- 2 Red
- 3 Blue<sup>3</sup>
- 4 Green<sup>3</sup>
- 5 Clear

#### 6 BASE COLOR<sup>2</sup>

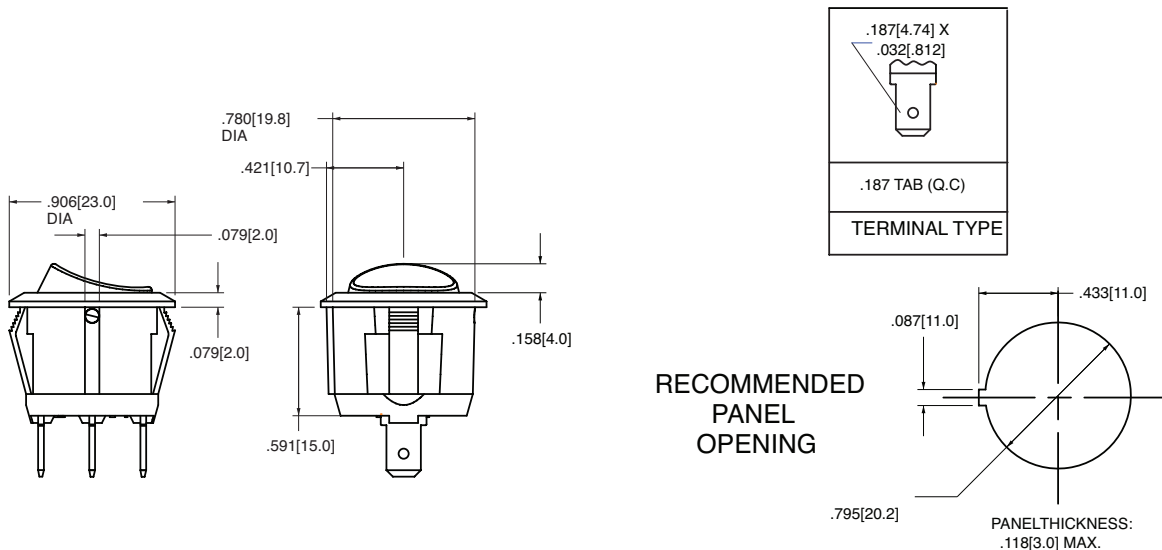
- B Black
- W White

#### 7 LAMP VOLTAGE

- |                    |                    |
|--------------------|--------------------|
| N None             | C 28V Incandescent |
| A 6V Incandescent  | J 125V Neon        |
| B 12V Incandescent | K 250V Neon        |

#### 8 ROCKER FACE LEGEND

- |                       |                       |
|-----------------------|-----------------------|
| N No imprinting       | F O (on rocker end)   |
| A On-Off (vertical)   | G II-O-I (vertical)   |
| B On-Off (horizontal) | H II-O-I (horizontal) |
| D I-O (horizontal)    | J Off-On (vertical)   |
| E I-O (vertical)      | K Off-On (horizontal) |



\*Manufacturer reserves the right to change product specification without prior notice.