



VeriSense™ 3500 and 3600 Temperature Sensors

Features

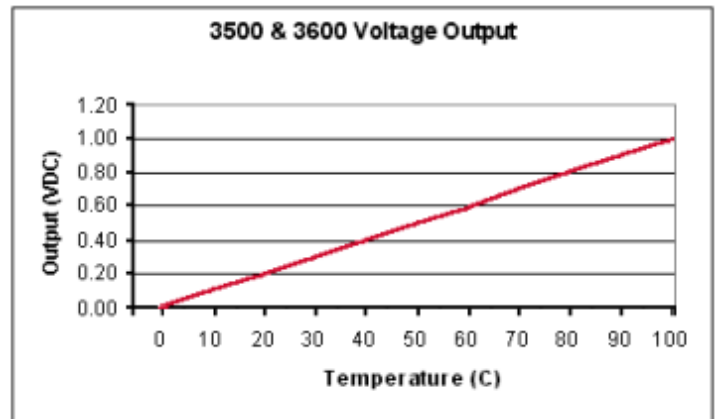
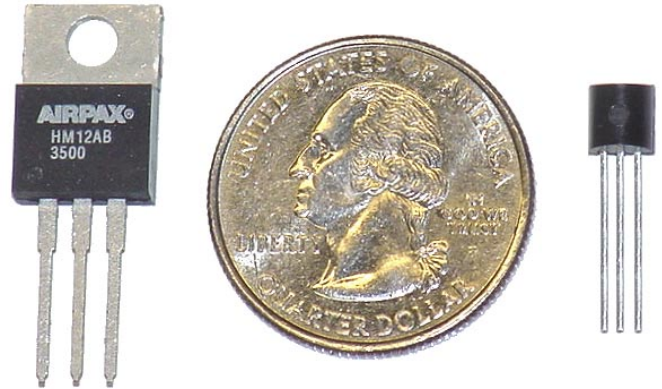
- Linear +10.0 mV/°C output
- ±1.0°C Typical accuracy across the entire range
- ±1.5°C Accuracy guaranteed at +25°C
- 0°C to +100°C Range
- Operates from 4 to 30 V_{DC}
- Low current drain & low self-heating

The VeriSense™ 3500 & 3600 are linear temperature sensors offered in TO-220 & TO-92 standard electronic packages. These sensors provide a voltage output of 10.0 millivolts per degree Celsius across a 0°C to 100°C (32°F to 212°F) temperature range. Accuracy of ±1.5°C is guaranteed at room temperature (25°C) and ±1.0°C accuracy is typical across the entire range.

Due to their accuracy, linearity and broad temperature range, the VeriSense™ 3500 & 3600 offer significant advantages over the exponential non-linearity and limited useful ranges of existing sensors such as thermistors. Elimination of the compensating electronics normally associated with non-linear sensors make the VeriSense™ 3500 & 3600 a less costly sensing solution.

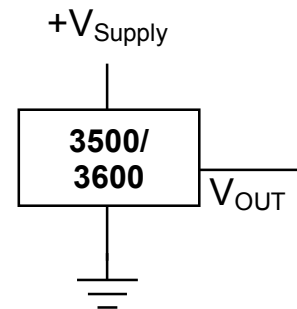
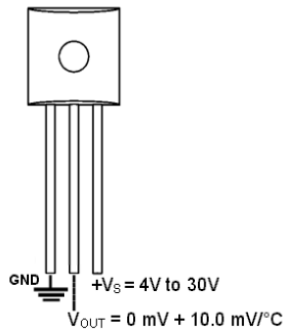
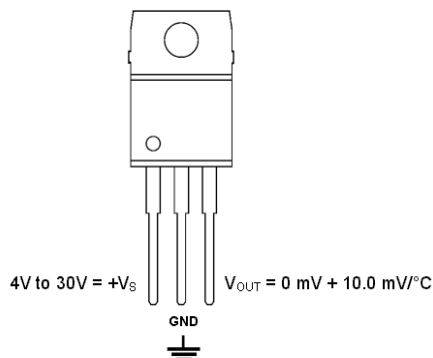
Low-output impedance (0.1Ω for 1mA load) and precise inherent calibration make interfacing to readout or control circuitry especially easy. The 3500 and 3600 can be used with single power supplies, or with plus and minus supplies. Low current draw (60μA) contributes to low self-heating (less than 0.1°C in still air).

AIRPAX® TSP



3500 Series (TO-220)

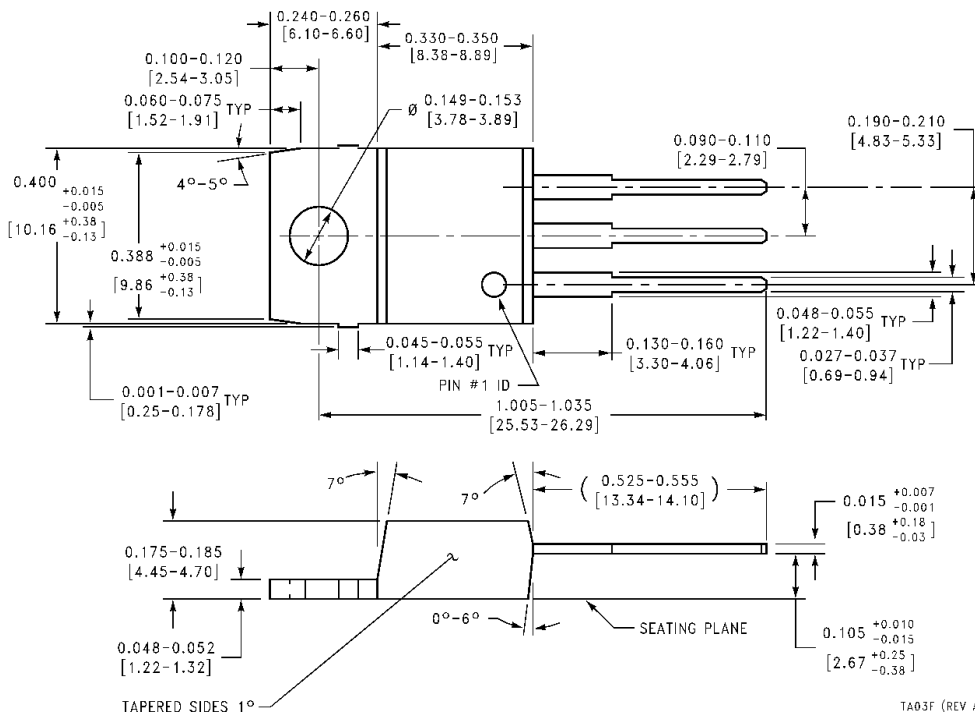
3600 Series (TO-92)



AIRPAX
www.airpax.net

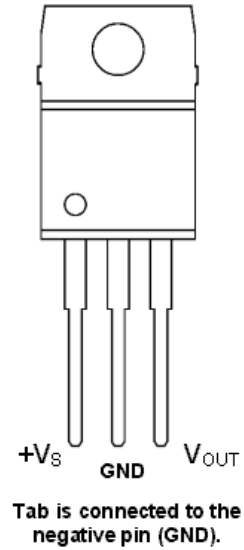
© Copyright 2002 Airpax. All rights reserved. 00100 11/02

Physical Dimensions inches (millimeters) unless otherwise noted

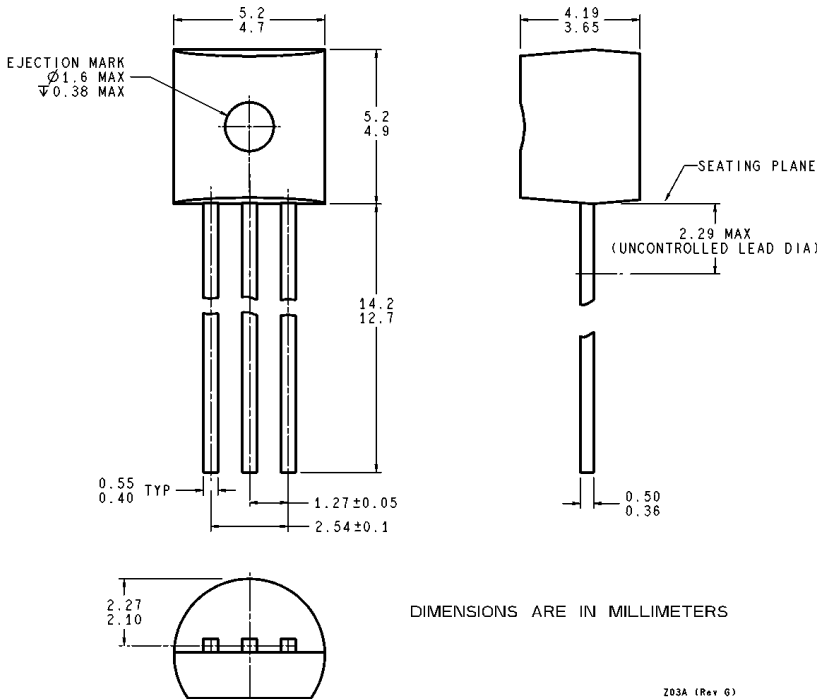


Connection Diagram

TO-220 Plastic Package



Physical Dimensions millimeters unless otherwise noted



Connection Diagram

TO-92 Plastic Package

