

Snapak® CR, CPR, CPP Circuit Breakers



Overcurrent Protection for Telecommunication

Providing protection from overcurrent conditions in an ultra-compact package, the Snapak® CR, CPR and CPP are available in single-pole rocker, push-to-reset, and push-pull configurations, respectively, each with auxiliary switch options.

Please contact Airpax for assistance in applying the Snapak® CR, CPR, CPP circuit breakers to meet your telecommunications power protection needs.

AIRPAX
www.airpax.net

Airpax Corporation
807 Woods Road
Cambridge, MD 21613 USA
Tel: 410.228.1500 Fax: 410.228.3456

AIRPAX



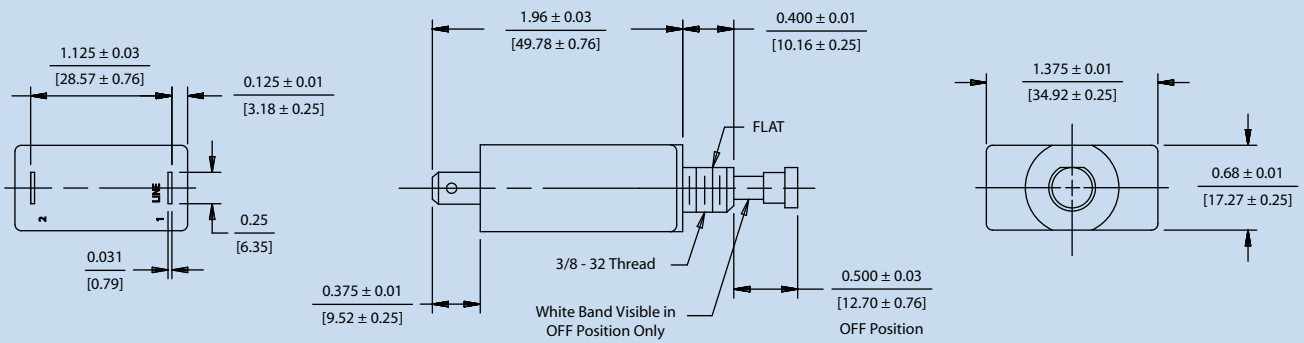
Applications: Developed for the telecommunications market, the new Snapak® CR, CPR, CPP circuit breakers are the smallest UL489A listed circuit breakers on the market today.

Specifications:

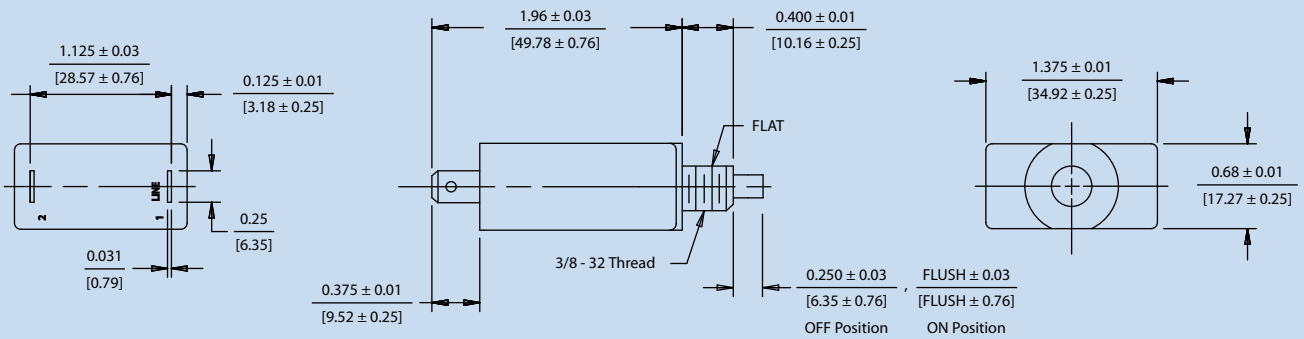
- Maximum rated current / voltage:
30A (80 V_{DC}, 65V_{DC})
- Number of poles: 1 pole
- Operating temperature: -40°C to 85°C
- Short-circuit interrupt capacity:
1000 amps, 65 V_{DC}
600 amps, 80 V_{DC}
- Insulation resistance: At least 100 MΩ with
500V_{DC} megger
- Dielectric strength: V_{AC} 50/60 Hz 1500V_{AC} for
1 minute, or 1800V_{AC} for 1 second, leakage current
1mA or less.
- Auxiliary switch ratings (resistive load): Silver
contacts: 0.5A at 80V_{DC}
- Vibration resistance: 98m/s² (10G)
(Mil-STD-202, method 204, test condition A @ I_n)
- Shock resistance: 735m/s² (75G)
(Mil-STD-202, method 213, test condition I @ I_n)
- Endurance: 1000 switching operations at rated
current and voltage
- Approvals available: UL489A, CSA, VDE, CCC



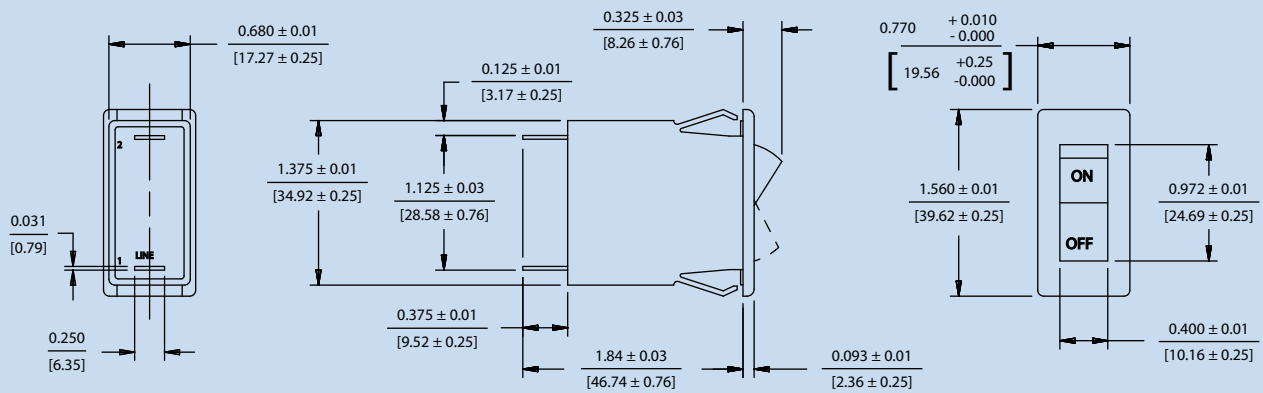
Snapak® CPP:



Snapak® CPR:



Snapak® CR:



The products shown are a representative example of our offerings. Consult factory for full specifications.